



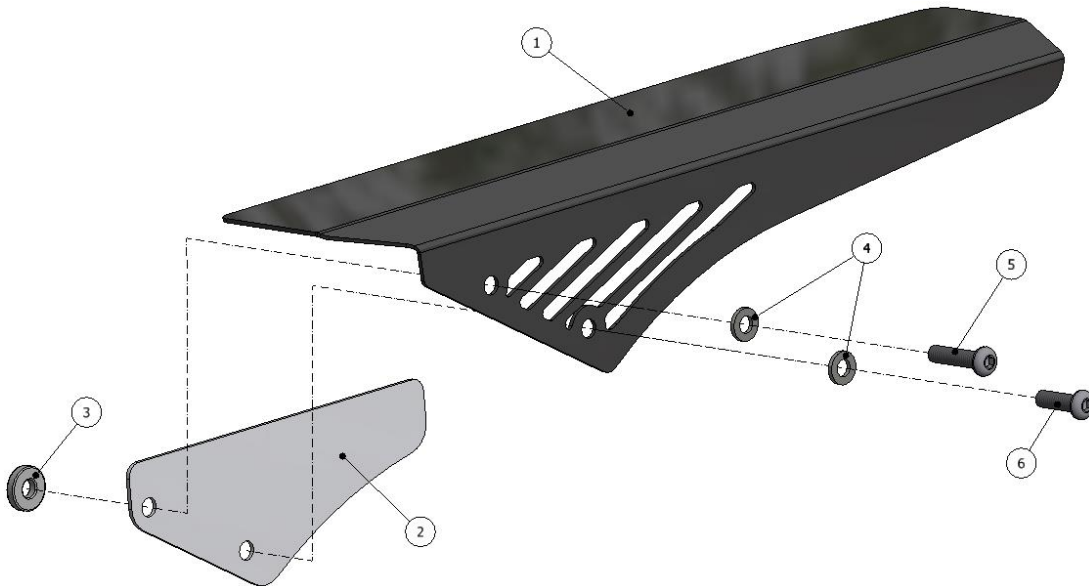
FITTING INSTRUCTIONS FOR BG0003
BELT GUARD FOR KAWASAKI VULCAN VN900 CUSTOM '07-



THIS KIT CONTAINS THE ITEMS PICTURED AND LABELLED BELOW.
DO NOT PROCEED UNTIL YOU ARE SURE ALL PARTS ARE PRESENT.

Please note that the way the kit is packed does not necessarily represent the way of mounting to the bike.

THE PARTS SHOWN MAY BE REPRESENTATIVE ONLY (FOR CLARITY OF INSTRUCTIONS ONLY).





LEGEND

- ITEM 1 = BELT GUARD (SMW0072) (x1).
 ITEM 2 = INNER PLATE (PLATE 0195) (x1).
 ITEM 3 = SPACER (S0456 – 3.5mm LONG) (x1).
 ITEM 4 = M6 WASHER (x2).
 ITEM 5 = M6 x 25mm LONG BUTTON HEAD BOLT (x1).
 ITEM 6 = M6 x 20mm LONG BUTTON HEAD BOLT (x1).

Please note that in cases where kits are packed with rubber washers holding the components onto the bolt – *the rubber washers should be thrown away!*

TOOLS REQUIRED

- 4 & 5mm Allen key.



Picture 1



Picture 2

FITTING INSTRUCTIONS

- Remove the two bolts that secure the OEM belt guard in place, as shown in picture 1 and remove the guard from the bike.
- Take the R&G Belt Guard and assemble it as shown in the exploded diagram on page 1.
- Offer this assembly up to the bike and fit both bolts into the rubber well nuts on the motorcycle swingarm, as shown in picture 2.
- Ensure the belt guard is mounted correctly before tightening all bolts evenly.

ISSUE 1 09/12/2016 (AR)

Digital copies of these instructions are available to download from www.rg-racing.com

CONSUMER NOTICE

The catalogue description and any exhibition of samples are only broad indications of the Products and R&G may make design changes which do not diminish their performance or visual appeal and supplying them in such state shall conform to the order. The Buyer acknowledges no representation or warranty (other than as to title) has been given or will apply to the Products other than those in R&G's order or confirmation and the Buyer confirms it has chosen the Products as being of merchantable quality and suitable for its particular purposes. Where R&G fits the Products or undertakes other services it shall exercise reasonable skill and care and rectify any fault free of charge unless the workmanship has been disturbed. The Buyer is responsible for ensuring that the warranty on the motorcycle is not affected by the fitting of the Products. On return of any



defective Products R&G shall at its option either supply a replacement or refund the purchase money but shall not be liable if the Products have been modified or used or maintained otherwise than in accordance with R&G's or manufacturer's instructions and good engineering practice or if the defect arises from accident or neglect. Other than identified above and subject to R&G not limiting its liability for causing death and personal injury, it shall not be liable for indirect or consequential loss and otherwise its liability shall be limited to the amounts paid by the Buyer for the Products or the fitting or service concerned. These terms do not affect the Buyer's statutory rights.

R&G RACING RETURNS POLICY (NON-FAULTY GOODS)

Returns must be pre-authorised (if not pre-authorised the return will be rejected). Goods may only be returned direct to us if they were purchased direct from us (customer must prove if necessary). Otherwise to be returned to original vendor. Goods must be in re-sellable condition, in the opinion of R&G Racing. All returns are subject to a 25% restocking and handling fee (25% of the gross value exc. P&P – at the prevailing price at time of purchase). The customer must pay any and all carriage charges. No returns of discontinued products, unless within 14 days of purchase. This policy does not affect your statutory rights and does not refer to faulty goods.



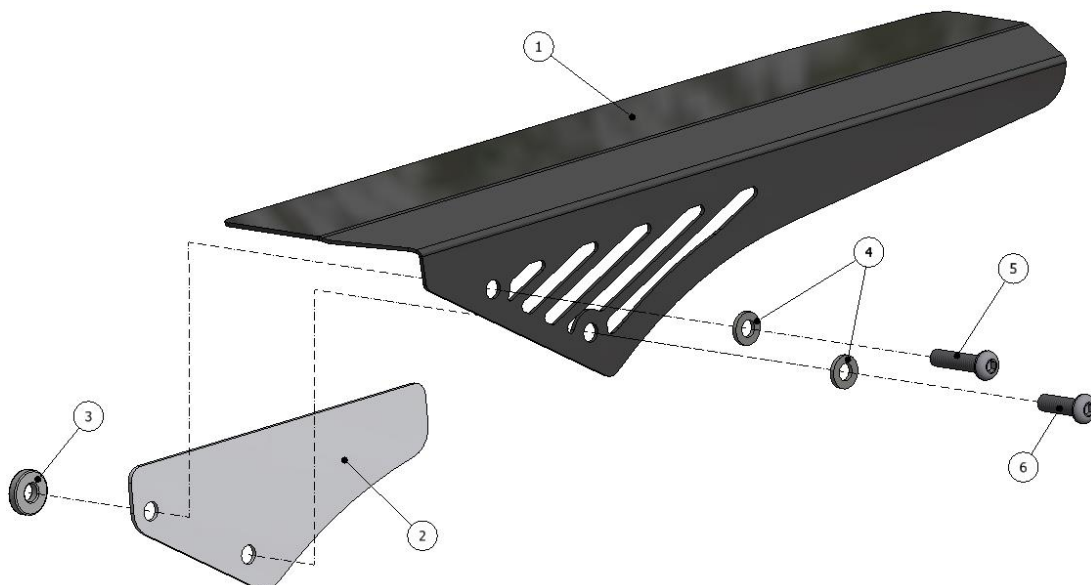
NOTICE DE MONTAGE POUR BG0003
CEINTURE DE PROTECTION POUR KAWASAKI VULCAN VN900 CUSTOM '07-



Le kit contient les articles exposés ci-dessous, vérifier que toutes les pièces soient présentes avant de procéder au montage.

La façon dont le kit est emballé ne correspond pas forcément à la façon de monter les pièces sur la moto.

LES PARTIES PRESENTEES PEUVENT ETRE UNIQUEMENT REPRESENTATIVES (POUR LA CLARTE DES INSTRUCTIONS UNIQUEMENT)





LEGENDE

- ARTICLE 1 = CEINTURE DE PROTECTION (SMW0072) (x1).
 ARTICLE 2 = PLAQUE INTERNE (PLATE 0195) (x1).
 ARTICLE 3 = ENTRETOISE (S0456 – 3.5mm DE LONG) (x1).
 ARTICLE 4 = M6 RONDELLE (x2).
 ARTICLE 5 = M6 x 25mm BOULON (x1).
 ARTICLE 6 = M6 x 20mm BOULON (x1).

Notez que si les kits sont emballés avec des rondelles en caoutchouc servant à tenir les composants, *ces rondelles doivent être jetées!*

OUTILS REQUIS

- Clés Allen 4 & 5mm.



Photo 1



Photo 2

NOTICE DE MONTAGE

- Enlever les 2 boulons qui fixent la ceinture de protection en place, voir photo 1 et enlever la protection de la moto.
- Prendre la ceinture de protection R&G puis assemblez-la selon le schéma présent en page 1.
- Monter l'ensemble sur la moto puis insérez les 2 boulons dans les écrous en caoutchouc du bras oscillant de la moto, voir photo 2.
- Veiller à ce que la ceinture de protection soit montée correctement, avant de serrer tous les boulons de façon identique.

ISSUE 1 09/12/2016 (AR)

Notice disponible au téléchargement sur www.rg-racing.com

CONSUMER NOTICE

The catalogue description and any exhibition of samples are only broad indications of the Products and R&G may make design changes which do not diminish their performance or visual appeal and supplying them in such state shall conform to the order. The Buyer acknowledges no representation or warranty (other than as to title) has been given or will apply to the Products other than those in R&G's order or confirmation and the Buyer confirms it has chosen the Products as being of merchantable quality and suitable for its particular purposes. Where R&G fits the Products or undertakes other services it shall exercise reasonable skill and care and rectify any fault free of charge unless the workmanship has been disturbed. The Buyer is responsible for ensuring that the warranty on the motorcycle is not affected by the fitting of the Products. On return of any



defective Products R&G shall at its option either supply a replacement or refund the purchase money but shall not be liable if the Products have been modified or used or maintained otherwise than in accordance with R&G's or manufacturer's instructions and good engineering practice or if the defect arises from accident or neglect. Other than identified above and subject to R&G not limiting its liability for causing death and personal injury, it shall not be liable for indirect or consequential loss and otherwise its liability shall be limited to the amounts paid by the Buyer for the Products or the fitting or service concerned. These terms do not affect the Buyer's statutory rights.

R&G RACING RETURNS POLICY (NON-FAULTY GOODS)

Returns must be pre-authorized (if not pre-authorized the return will be rejected). Goods may only be returned direct to us if they were purchased direct from us (customer must prove if necessary). Otherwise to be returned to original vendor. Goods must be in re-sellable condition, in the opinion of R&G Racing. All returns are subject to a 25% restocking and handling fee (25% of the gross value exc. P&P – at the prevailing price at time of purchase). The customer must pay any and all carriage charges. No returns of discontinued products, unless within 14 days of purchase. This policy does not affect your statutory rights and does not refer to faulty goods.